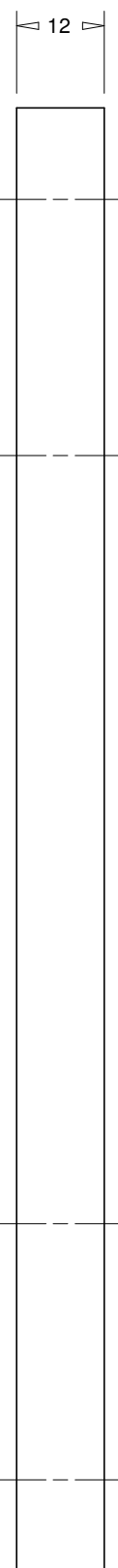
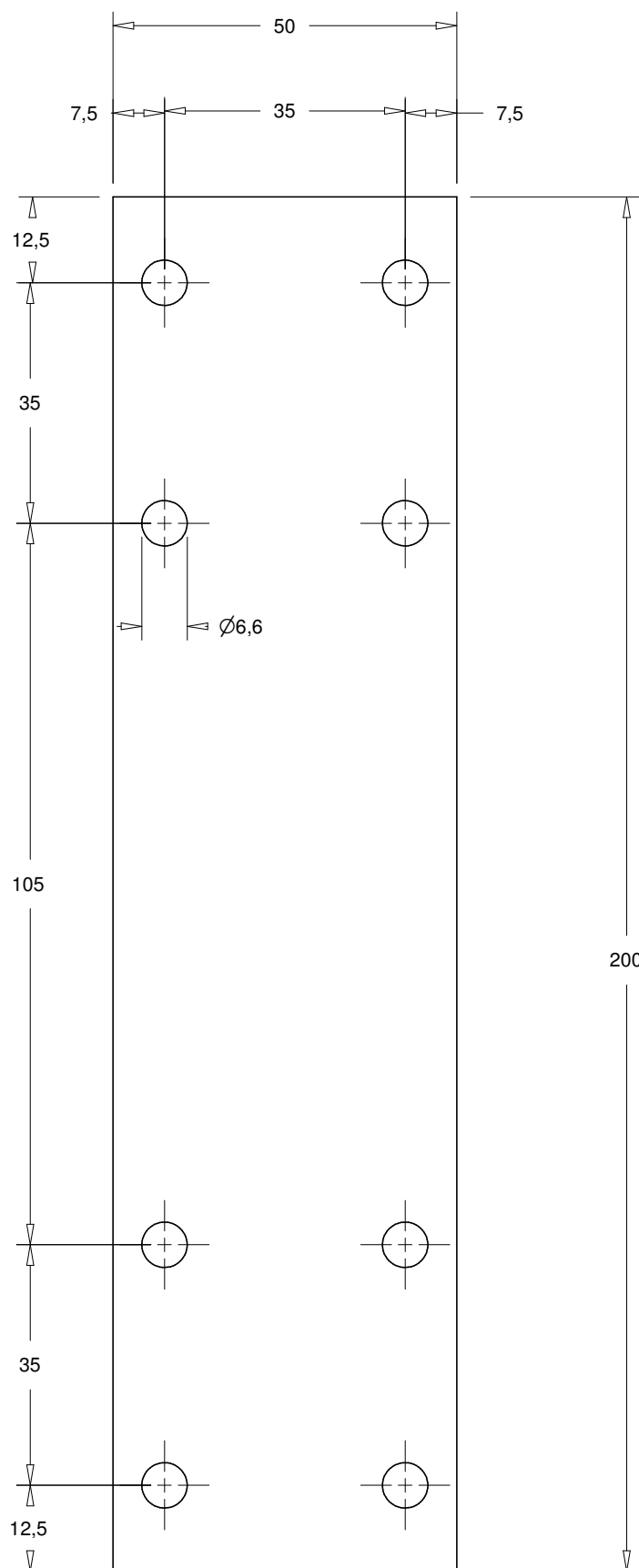
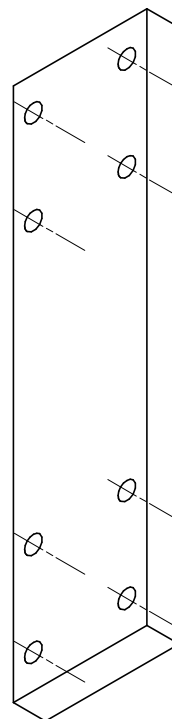


1**2****3****4****5****6****A****B****C****D****E****F****G**

Drawn by: gvdw

Client:

Date: 26/05/2015

Material: AlMgSi0.5

Toleranties: DIN7168 mittel

Heading:

Tussenplaat Lineaire Lagere

2 Stuks

Formaat: A4

Scale:

Dwg nr.: 150526/07

CONSTRUCTION
VAN DE WALLE

 J. Parijslaan 30
 B-9940 EVERGEM
 Belgium

tel: +32.92.53.58.58

fax: +32.92.53.71.72

mailto:ghislain@vdwalle.com

H